

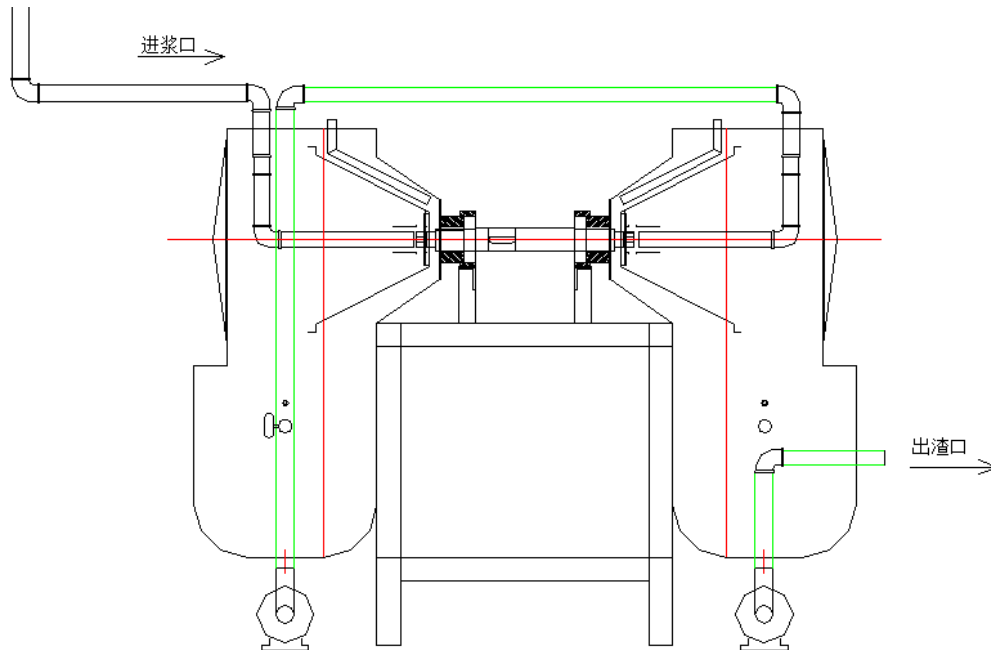


NANYANG GOODWAY MACHINERY & EQUIPMENT CO., LTD.

Factory Add: ERLANGMIAO STREET, ERLANGMIAO TOWN, FANGCHENG COUNTY, HENAN PROVINCE, P.R.CHINA

GOODWAY 固德威 Website: www.cassavamachine.cn www.goodway.top

Centrifugal filtration



一. Features and uses of the equipment:

ZXS-500 centrifugal sieve is a high-efficiency starch separation equipment developed by our company based on the advantages of domestic and foreign centrifugal sieves and combined with our experience in starch processing technology for many years. It is mainly used for wheat, Washing and dehydration separation of starch slurry such as potato, cassava and sweet potato. The centrifugal sieve group synthesized by the unit has the advantages of large processing capacity, small power, stable operation, large production capacity, high starch extraction rate and easy installation, and is an ideal equipment for large-scale production of potato starch enterprises.

二. The main technical parameters:

Sieve diameter: 500 mm;

Spindle speed: 1470 rpm;

Working mode: continuous;

Motor power: 4 kW;

Dimensions: 1200 × 1900 × 2100

Total weight: about 1.5 tons

三. Structure and working principle:

The equipment is mainly composed of bearing box assembly, screen blue assembly, housing assembly, door assembly, bracket assembly, water tank assembly, back-flushing system, transmission system and motor, etc. One set, one pump, can also be equipped with adjustable seat plate according to user needs. The internal contact material of the equipment is made of all-stainless steel material. On the one hand, it can ensure that the material is not interfered by other external factors. In addition, due to the use of all-stainless steel, it also



NANYANG GOODWAY MACHINERY & EQUIPMENT CO., LTD.

Factory Add: ERLANGMIAO STREET, ERLANGMIAO TOWN, FANGCHENG COUNTY, HENAN PROVINCE, P.R.CHINA

GOODWAY 固德威 Website: www.cassavamachine.cn www.goodway.top

effectively protects the equipment from material erosion and durability. At the same time, the equipment looks beautiful. Generous, with the advantages of similar foreign equipment, reaching the international leading level. The crushed potato or wheat starch slurry uniformly enters the high-speed rotating sieve inner cone surface through the feeding mechanism. Under the action of gravity and centrifugal force, the slurry moves circumferentially along the sieve surface and simultaneously moves toward the sieve blue edge. Through the spraying of the washing system, the fine starch granules are discharged through the screen during the movement, and are discharged by the sifting pump. The larger starch granules cannot pass through the screen and gradually fall into the slag bin and are discharged by the slag pump. Drainage, potato dregs and the starch slurry is continuously washed by the flushing water in the process of moving to the edge of the sieve basket to maximize the removal of the free starch adsorbed in the slurry, and in addition, under the backwashing function of the back system, the screen surface can be effectively removed. The slag avoids the blockage of the screen surface and ensures the normal operation of the equipment.

四. Equipment installation:

The centrifugal sieve set has the advantage of being easy to install, but the level of the installation foundation is ensured before installation, and sufficient space is required for the equipment maintenance around the foundation. There is a corresponding lifting hole on the base of the equipment, which can be lifted to the top of the basic position by the corresponding lifting equipment. After the equipment is in place, the expansion bolts are directly placed. After the integrity of the equipment group is checked, the power supply and the pipeline for loading and unloading can be connected. The included self-control instrument, etc. However, the connection between the feed pipe and the water inlet pipe must be connected by a hose to facilitate the normal opening of the centrifugal screen door.

五. Correct use of the device:

1. Check before starting;

1) Before the new equipment is started for the first time, it must be checked whether the direction of rotation of the main shaft is consistent with the direction marked on the belt cover. If it is inconsistent, it should be corrected. It is recommended that the engineering and technical personnel of our company guide the driving;

2) Check the screen for damage, if it should be repaired in time, replace the screen when the damaged area is too large;

3) Check the bolts around the screen basket for looseness;

4) Check the flushing pipe and nozzle for blockage, and ensure that the waterway is unblocked;

5) Check if the door seal is good;



**NANYANG GOODWAY MACHINERY &
EQUIPMENT CO., LTD.**

Factory Add: ERLANGMIAO STREET, ERLANGMIAO TOWN, FANGCHENG COUNTY,
HENAN PROVINCE, P.R.CHINA

GOODWAY 固德威 Website: www.cassavamachine.cn www.goodway.top

- 6) Ensure the smooth flow of the mechanical seal cooling water circuit on the pump;
- 7) Check if the bearing is short of oil. This bearing requires the use of lithium-based molybdenum disulfide grease. Under normal circumstances, it is recommended to add lubricant twice a week.
- 8) Move the belt by hand to check whether the transmission mechanism is flexible;
- 9) After the inspection is completed, close the screen door, press the door handle and connect the feeding tube and the inlet pipe, and keep the seal tight;
2. Startup: The main motor must be started first. After about one minute of stable operation, the slag pump and the defoaming pump are started in turn, and the flushing water system is turned on. After all the conditions are normal, the feeding can be started;
3. Operation: During the operation, the feed and washing pressure should be checked frequently. If there is abnormal vibration or noise, stop the machine immediately. During the normal operation of the equipment, it is recommended to check the bearing temperature once every hour. If it is overheated, stop it. ;
4. Stop: First stop feeding, after the material is completely screened, stop the main motor, slag pump and defoaming pump in turn, and stop the supply of flushing water after one minute;
5. After the shutdown, open the screen door, clean the inside of the screen basket and the screen body, carefully check the screen surface, and prepare for the next driving.